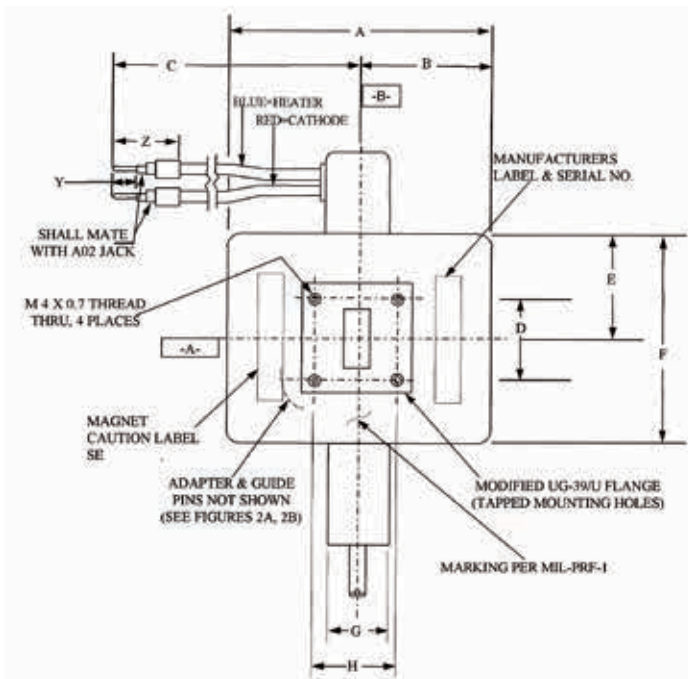
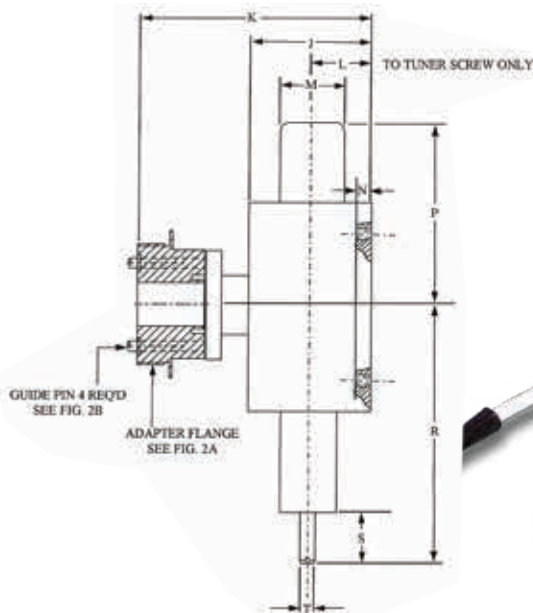


Communications & Power Industries Beacon Magnetron

With a history of producing high quality products, we can help your with magnetron.

Contact us at
BMDMarketing@cpii.com or
 call us at +1 978-922-6000.



FEATURES:

- Frequency 9.5 – 9.7 GHz
- Peak power output 4.0 kW
- Duty cycle .0012
- Anode voltage 4 kV
- Anode current 3 amps
- Pulse width .25 microseconds
- Heater 6.3 volts @ 1.2 amps
- Conduction cooled
- Mechanically tunable

BENEFITS:

- Compact
- Lightweight

APPLICATIONS:

- Used in ground radars



Beverly Microwave Division
 150 Sohier Road
 Beverly, Massachusetts
 USA 01915

tel +1 978-922-6000
 email BMDMarketing@cpii.com
 fax +1 978-922-8914
 web www.cpii.com

For more detailed information, please refer to the corresponding CPI technical description if one has been published, or contact CPI. Specifications may change without notice as a result of additional data or product refinement. Please contact CPI before using this information for system design.

©2020 Communications & Power Industries LLC. Company proprietary; use and reproduction is strictly prohibited without written authorization from CPI.